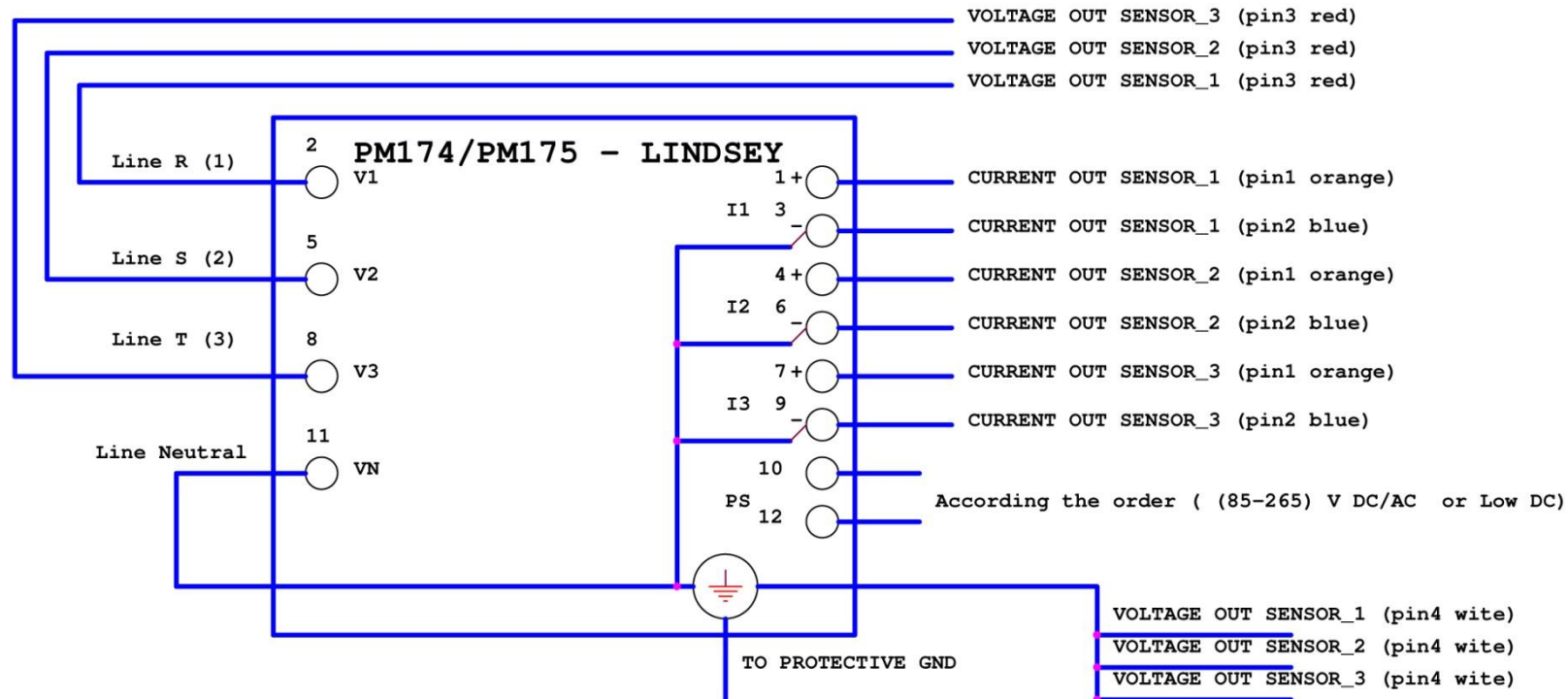


## WIRING OF LINDSEY TO PM17X-EXT.CT.



### SETTING OF PM17X VP FOR LINDSEY SENSOR

CT = 300 A; Vout nom. is 5V  
It is half scale of the Current Input PM17X

PT = 53.1: Vnom.out = 3.7 V ac ,it is half scale.  
(7.5757 V ac max for primary 25kV) ;

Lindsey output Ratio:  
Current \_\_\_ 600A ac - 10 V ac;  
Voltage \_\_\_ 3300 V ac - 1 V ac.